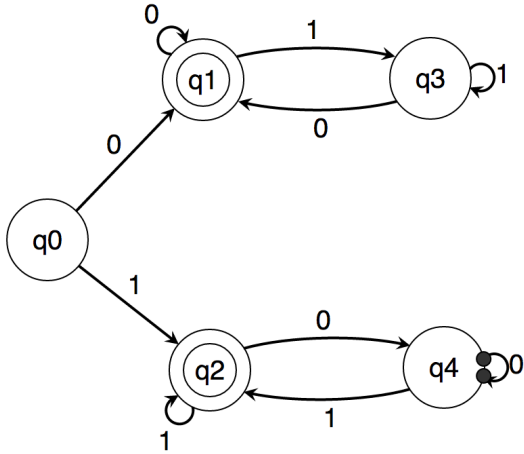
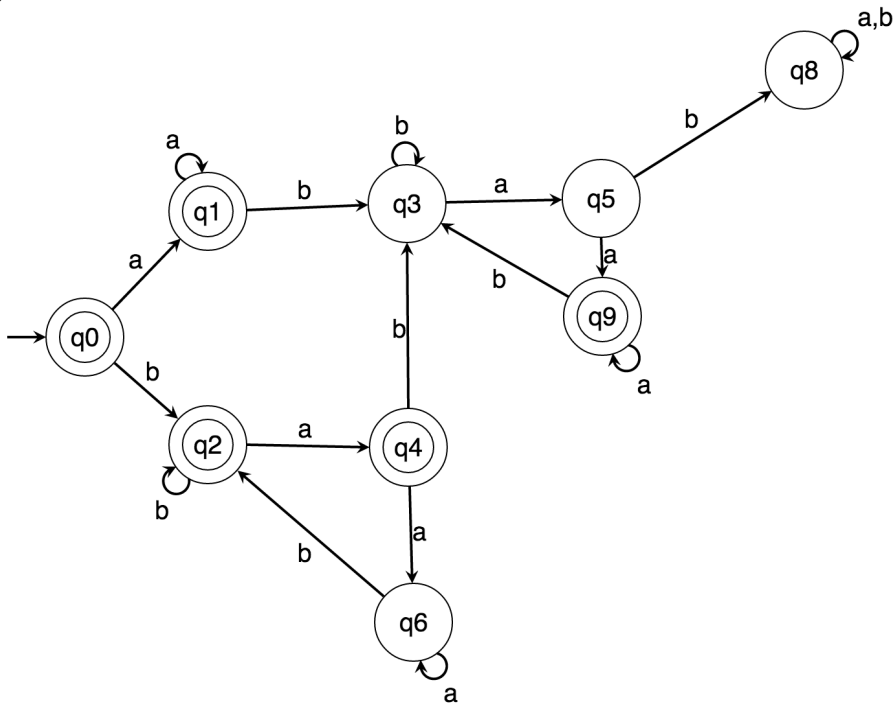


homework 5 solutions

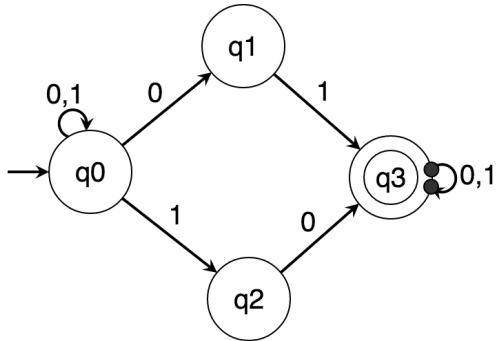
1.
(a.)



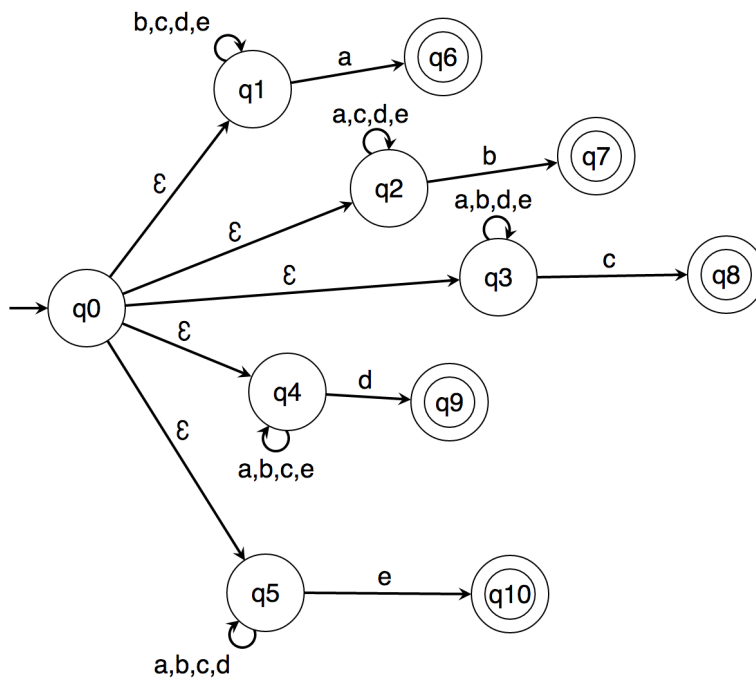
(b.)



2.
(a.)



(b.)



3. All strings that contain "00" or "11" as a substring.

4.

(a.) $(0|1)^*(00|11)(0|1)^*$

(b.) $(00|11)^*(0|1)$